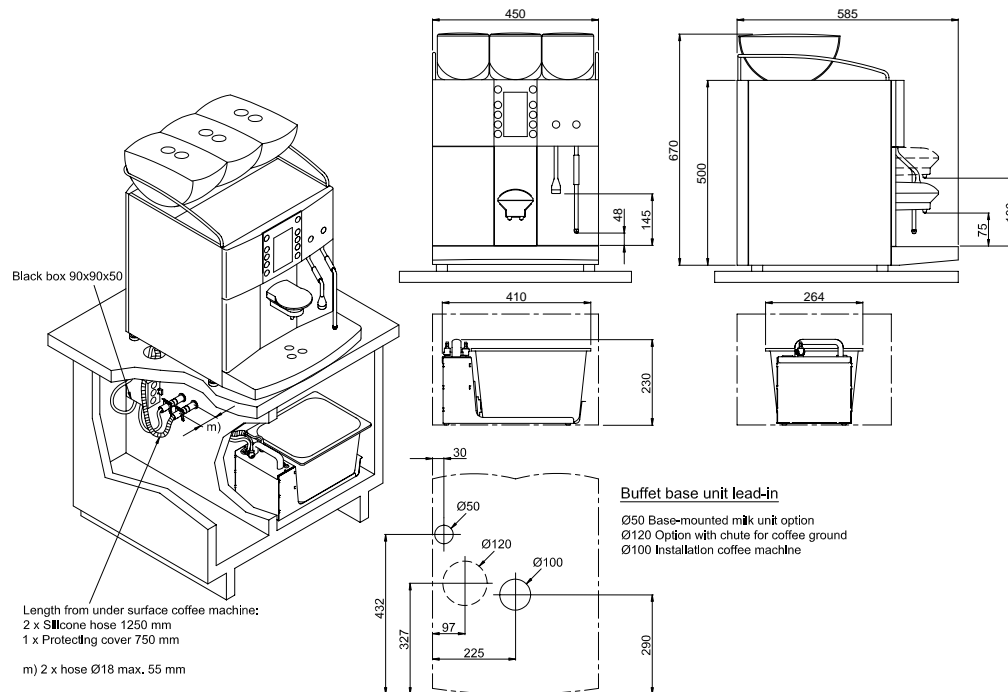


Technical data
Sinfonia milk system CF MUT



Water feeding

- Flexibel metal tube with two coupling rings G3/8", l = 1500 mm
- Cold water connection G3/8" exterior screw thread
- Water pressure 80-600 kPa (0.8-6.0 bar)
- Stop valve with nonreturn valve and filter
- Recommended water hardness 7°German hardness, 13° French hardn.
- Chlorine content max. 100mg/l
- PH ideal value 7

Water outlet

- Outlet tube Ø16 x 2000 mm
- Funnel Ø50 with Siphon
- Dia. of outlet line d = 1"
- Outlet tube not fixed with outlet

Power connection

- Cable l = 2000 mm
- Coffee machine 230V, 1LN PE; 3.9kW, 50/60Hz, 16A
230V, 1LN PE; 6.9kW, 50/60Hz, 30A
230V, 3LPE; 6.9kW, 50/60Hz, 16A
400V, 3LN PE; 6.9kW, 50/60Hz, 16A

Please note

That the indicated total height of the coffee machine of 680mm is measured without the base (feet)!

Following are the total heights with:

- Standard feet: = 680 mm + 30 mm = 710 mm
- Plastic feet: = 680 mm + 65 mm = 745 mm
- Metal feet: = 680 mm + 100 mm = 780 mm (UL / NSF)

As for the rest the local regulations are binding!



Franke Coffee Systems

The art of excellent coffeemaking

Standards models

M 1M H CF MUT
M 1M H D CF MUT

1 Grinder, Hot water and milk system
1 Grinder, Hot water, steam and milk system

Voltage connection

Coffee machine

230V, 1LN PE; 3.9kW, 50/60Hz, 16A
230V, 1LN PE; 6.9kW, 50/60Hz, 30A
230V, 3LPE; 6.9kW, 50/60Hz, 16A
400V, 3LN PE; 6.9kW, 50/60Hz, 16A

Dimensions (WxDxH)

450 mm / 600 mm / 680 mm

Water supply

Cold water G3/8" external screw thread, l = 1,5m
Pressure 0,8 - 8,0 bar (80 - 800 kPa)
Water hardnessmax. 7°dH, 13°fH
PH 7

Drain

Drain hose

d = 16 mm, l = 2000 mm

Hourly capacity

Espresso	250 Cups
Coffee	200 Cups
Hot water	30 lt.
Cappuccino	180 Cups
Café au lait	180 Cups
Macchiato	120 Tassen pro Std.
Hot Milk (2dl)	120 Tassen pro Std.
Cold Milk (2dl)	150 Tassen pro Std.
Pot	30lt.

Bean container

1.3 kg / 2x1.5kg capacity / Option removable

Cake drawer

80 – 100 portion of coffee ground

Boiler capacity

Coffee 1.2 lt
Hot water / steam 2.85 lt

Milk container capacity

10 Liter

Weight

Coffee machine	50 kg net
MUT	5 kg net

Buttons

8 buttons with triple function,
2 buttons with dual function

Approval

CE / CB / UL / NSF