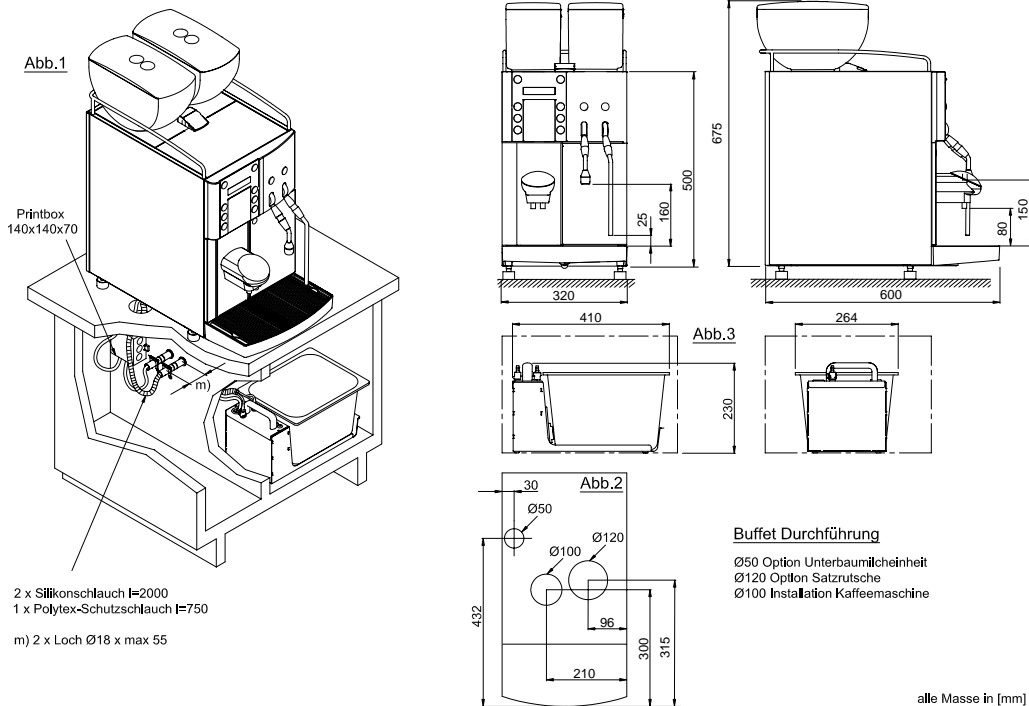


Technical data

Evolution Top milk system CF MUT



Water feeding

- Flexibel metal tube with two coupling Rings G3/8", l = 1500 mm
- Cold water connection G3/8" exterior screw thread
- Water pressure 80-600 kPa (0.8-6.0 bar)
- Stop valve with nonreturn valve and filter
- Recommended water hardness 7° German hardness, 13° French hardn.
- Chlorine content max. 100mg/l
- PH ideal value 7

Water outlet

- Outlet tube Ø16 x 2000 mm
- Funnel Ø50 with Siphon
- Dia. of outlet line d = 1"
- Outlet tube not fixed with outlet

Power connection

- Cable l = 2000 mm
- Coffee machine 230V 1LNPE 2,2kW-50/60Hz-10A
400V 2LNPE 5,2kW-50/60Hz-16A

Please note

That the indicated total height of the coffee machine of 680mm is measured without the base (feet)!

Following are the total heights with:

- Standard feet: = 680 mm + 30 mm = 710 mm
- Plastic feet: = 680 mm + 65 mm = 745 mm
- Metal feet: = 680 mm + 100 mm = 780 mm (UL / NSF)

As for the rest the local regulations are binding!



Franke Coffee Systems

The art of excellent coffeemaking

Standards models

E II 1M H CF MUT 1 Grinder, Hot water and milk system
E II 1M H D CF MUT 1 Grinder, Hot water, steam and milk system

Voltage connection

Coffee machine 230V, 1LNPE, 2,2kW, 10A, 50 / 60 Hz
 400V, 2LNPE, 5,2kW, 16A, 50 / 60 Hz

Dimensions (WxDxH) 320 mm / 600 mm / 680 mm

Water supply

Cold water G3/8" external screw thread, l = 1,5m
Pressure 0,8 - 8,0 bar (80 - 800 kPa)
Water hardnessmax. 7°dH, 13°fH
PH 7

Drain

Drain hose d = 16 mm, l = 2000 mm

Hourly capacity

Espresso 240 Cups
Coffee 180 Cups
Hot water 25 lt.
Cappuccino 150 Cups
Café au lait 150 Cups
Macchiato 120 Cups
Hot milk (2dl) 120 Cups
Cold milk (2dl) 150 Cups

Bean container 1.5 kg capacity / Option removable

Cake drawer 50 portion of coffee ground

Boiler capacity Coffee 1.2 Lt
 Hot water / steam 1.6 lt

Milk container capacity 10 Liter

Weight

Coffee machine 40 kg net
MUT 5 kg net

Buttons 5 (6) buttons for coffee/milk products; dual function using the Shift key;
 second programme selectable using a special function

Approval CE / CB