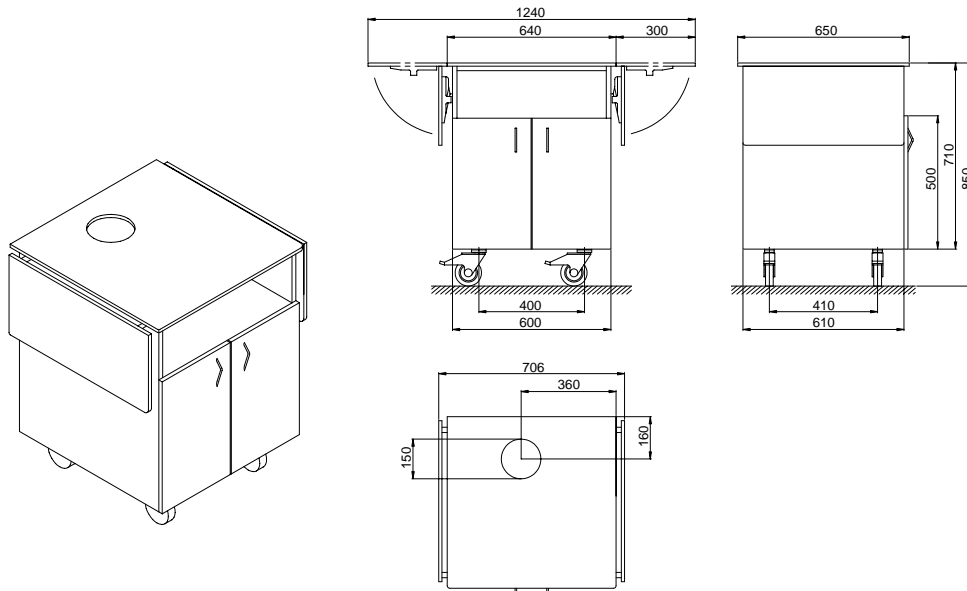


Technical data
Trolley unit to coffee machines



Technical data

Execution

Table made of Corian with lateral fold-up extension
Base unit with twin doors and one shelf
Folding shelves to trolley left and right

Tanks Fresh water tank

16 lt. / Drainage tank 10 lt.

Weight

ca. 42 kg net