

Dimensions and data sheet -- VIVA Coin Changer

Installation location requirements

All bremer appliances are ready for operation when supplied. Before appliance installation, the required site connections must be installed and up to 1 metre from the appliance. This preparation work must be performed by qualified specialists in accordance with applicable regulations and bremer installation instructions. The distance of the bremer appliance to the wall must be at least 4 cm (for air circulation). Leave a least 300 mm of free space above.

Electrical connection

The product is supplied with earthing contact plug; ensure that an easily accessible earthing contact socket is available.

A connection must be made to the potential equalisation system. For increased safety, we recommend adding a fault current safety switch.

Design: 230 V, 1 N, 50 Hz, 0.1 kW, fuse 1 x 16 A

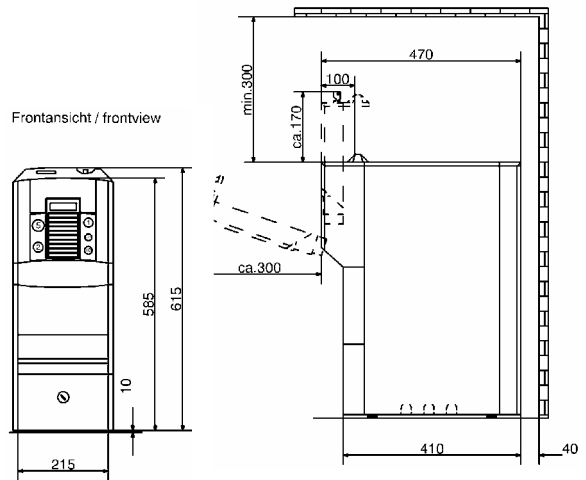
The product is supplied with earthing contact plug; ensure that an easily accessible earthing contact socket is available.

Performance

Thirty prices, electronic.

Accommodates 5 different coins and tokens.

Seitenansicht / sideview
Münzwechsler / coinchanger



Stellfläche / space required

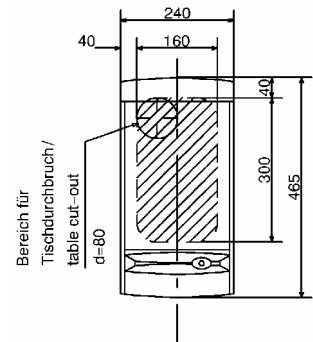


Table cut-out d=80 possible within the shaded area!

Weight: Coin Changer 23 kg

