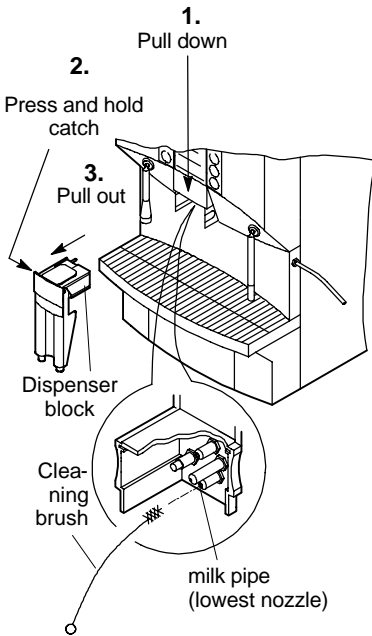


# bremer VIVA - Cleaning of the milk suction pipe

**!** **Risk of discarding!** Do not put your hands during the cleaning cycle below the coffee outlet! Do not take out the outlet block!



## 1. Cleaning of milk pipes with the cleaning brush

**!** **Risk of scalding!** The dispenser block may be hot.

- ☞ Pull the dispenser block down as far as it will go.
- ☞ Press and hold catch. Pull out the dispenser block.
- ☞ Clean the milk pipe with the cleaning brush by inserting it fully into the milk pipe and move it several times back and forth. After delaning remove milk pipe cleaning brush from the milk pipe.
- ☞ Attach the dispenser block the coffeemachine.

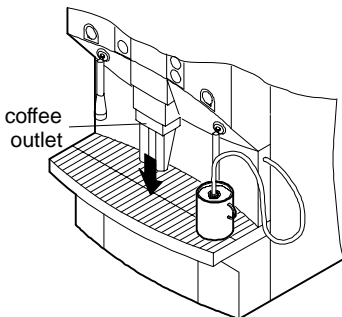
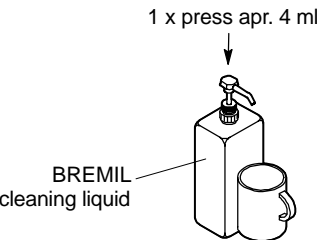
## 2. Preparation for the automatic cleaning program of the milk pipes

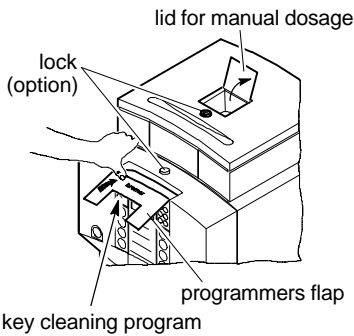
- ☞ Fill Apr. 20 or 24 ml BREMIL cleaning liquid into a container. If the liquid cleaner is used from a dispenser you have to push about 5 or 6 times (4 ml BREMIL cleaning liquid per 100 ml water).
- ☞ Fill in the vessel approx. 600 ml **warm Water**. Stir the bremer cleaning liquid.
- ☞ Place the vessel on the drip tray.
- ☞ Insert the suction pipe to the vessel.
  - Be sure that the pipe can not slip out of the vessel.
- ☞ For rinsing the pipe, prepare a clean vessel with approx. 0,6 Liter **cold clear water**.

**!** **Risk of scalding!** The dispenser block may be hot.

☞ **Important, to reduce the steaming in the outlet area during the cleaning,:**

**!** Push the coffee outlet to the bottom!





Shows that the first cleaning step runs.

cleaning cycle  
1 12 rest time

Shows the rest of cycles which need to be done!

### 3. start cleaning

☞ Open the lids with the keys.

☞ Press key cleaning program

- In the display appears:

Press + to Clean  
Milk Tube

} this information just appears, when a milk dosing is setted!

Choose cleaning:

= just brewing area

= additional clean milk pipes

☞ Press key

- The cycles start (Duration approx. 3 minutes).

### 4. Rinsing

☞ Put the vessel (0,6 liter) with **clean cold water** on the drp tray.  
After displaying:

hint for second cleaning step (rinsing)

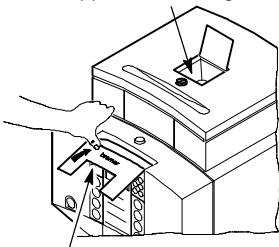
Press + To Rinse  
2 Tube

☞ Put the milk suction pipe into the vessel.

☞ Press key

- The rinsing cycle takes approx. 1 minute. In the display appears: "Rinsing Tube Please wait".
- After rinsing (second cleaning step) appears in the display: "Add tablet press Spoon Symbol". Please note the following paragraph to this.

hopper for cleaning tablets



key: confirm the using of the cleaning tablet

### 5. Coffee transporting parts cleaning

☞ Take one bremer cleaning tablet and throw it in the manual hopper.

☞ Confirm it - by pressing key.

- The automatic cleaning process runs.
- Further instructions on cleaning of the coffee outlet head or the housing of the machine, please read the operation instruction of the machine.